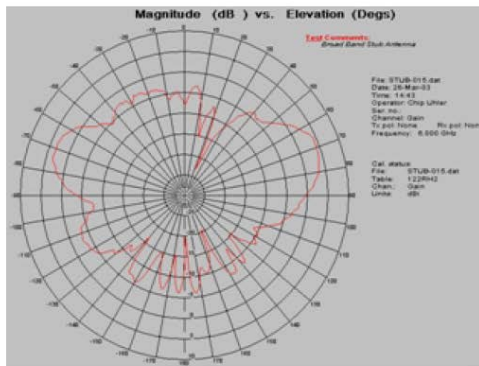
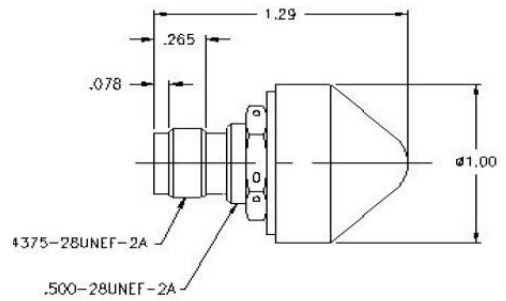
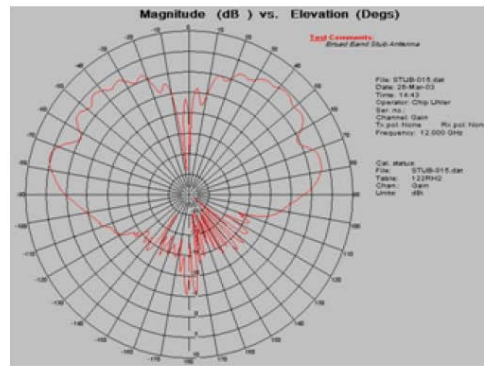


Model 948-00544 Broadband Stub Antennas

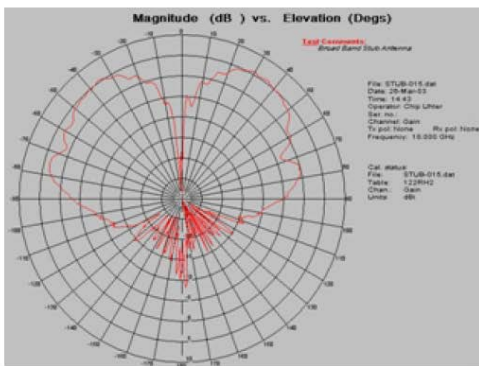
CAES introduces a new line of stub antennas for airborne Communication, Navigation, and Identification (CNI) applications. Model 120MO provides omni-directional azimuth coverage with patterns that are similar to a quarter-wavelength monopole over a ground plane. VSWR is less than 2.0:1 over the operational bandwidth, and the antenna handles 200 Watts CW. This antenna is 0.7 inches tall, has an installation footprint of 1 inch, and includes an integral protective radome. Other models and sizes are also available; contact CAES to discuss your specific requirements. These antennas are particularly well suited to meet the lightweight and small size requirements of UAV and weapon system applications, without compromising electrical performance.



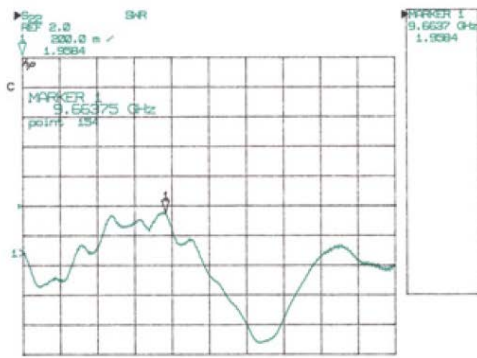
6 GHz



12 GHz



18 GHz



VSWR

Model 948-00544 Broadband Stub Antenna

KEY FEATURES:

- Broad Bandwidth
 - Omni-Directional
 - High Power Handling
 - Light weight
 - Compact size
-

FREQUENCY:

- 5 to 18 GHz
-

PATTERN:

- similar to a quarter wave monopole over a ground plane/Omni directional
-

VSWR:

- 2.0:1 typical
-

POWER:

- 200 W
-

TEMPERATURE:

- $-54^{\circ} \pm 200^{\circ}c$
-

POLARIZATION:

- Linear, vertical
-

ALTITUDE:

- 70,000 FEET
-

INPUT:

- TNC jack
-

WEIGHT:

- 1.1 oz.

