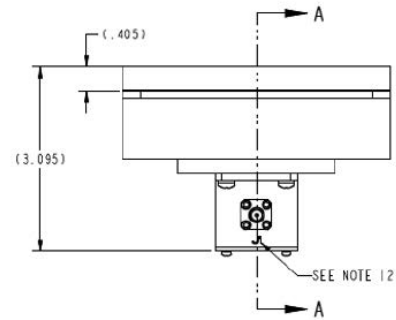
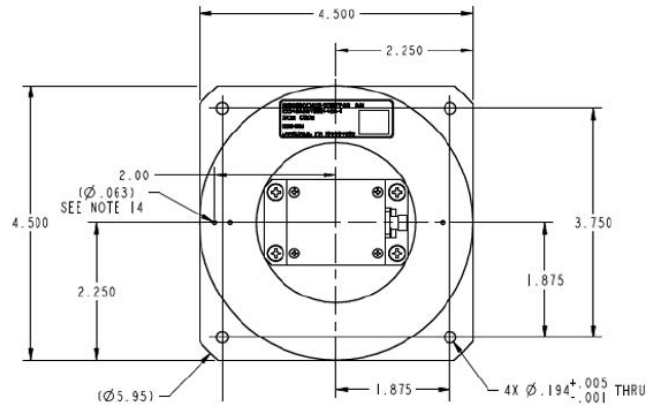
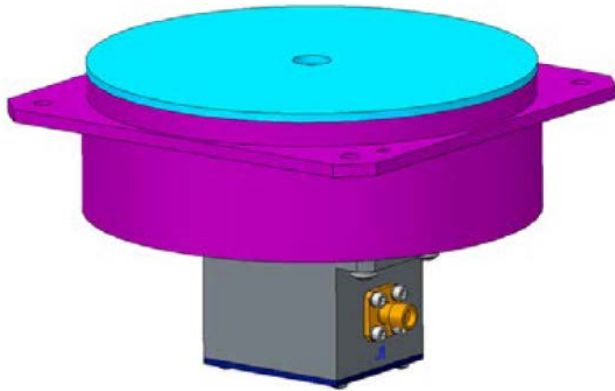


Model 8507145 Cavity Backed Spiral Antenna

CAES model 8507145-001 (LHCP) and -002 (RHCP) are wideband, planar, cavity-backed, spiral antennas, and have been designed and qualified for installation on military aircraft. The 8507145- antennas can be used individually for various ESM functions and used as either amplitude- and/or phase-matched sets for the purposes of providing Radar Warning or Interferometry functions. The 8507145- antennas are unique in that at only 4.5" in diameter, they provide coverage as low as 500 MHz. Typically, this would require an antenna in the 6-8" diameter, which can be problematic both for SWaP constraints and direction-finding accuracy. The model provides a wide, semi-constant beamwidths over the entire operating band.



Model 8507145 Cavity Backed Spiral Antenna

KEY FEATURES:

- Wide band and stable phase center
- Semi constant Beamwidths
- Available as phase matched sets
- Qualified for military airborne environment

FREQUENCY RANGE:

- 0.5 to 6.5 GHz

VSWR:

- 3.0 : 1 nominal

GAIN:

- -18 to 1 nominal

3 dB BEAMWIDTH:

- EL : 80°

POLARIATION:

- RHCP
- LHCP

BEAM SQUINT:

- 10 degrees

FINISH:

- MIL-F-14072

WEIGHT:

- 2.4 lb.

INPUT:

- SMA

IMPEDANCE:

- 50 Ohms

ENVIRONMENTAL:

- MIL-STD-810

