

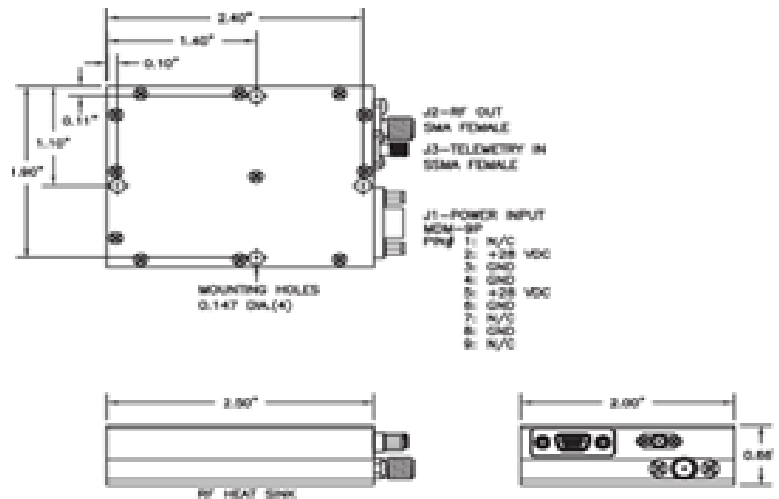
Telemetry Transmitter Model HFTT205TS-1



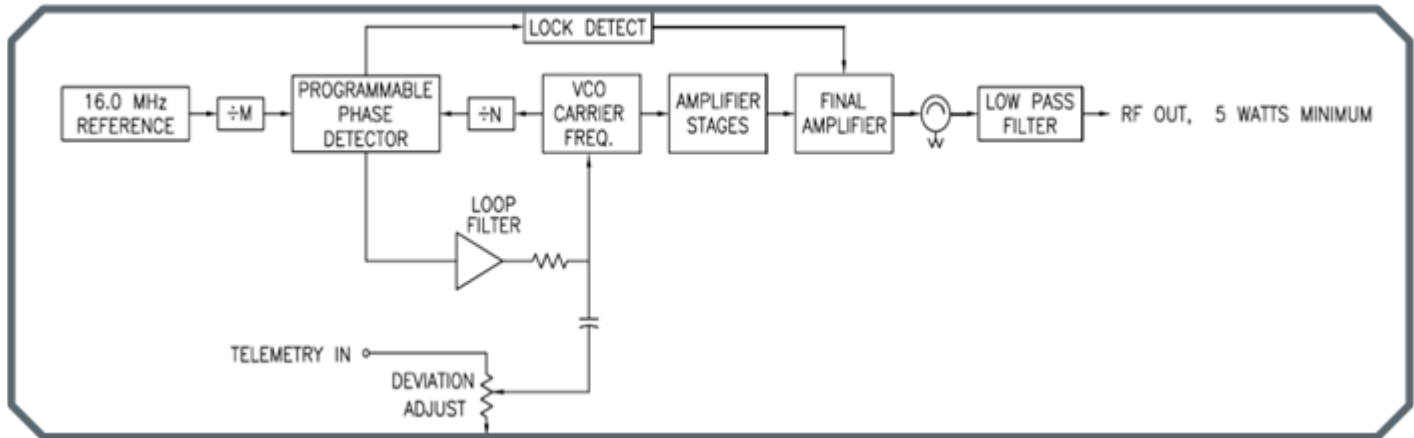
Supplying high performance flight instrumentation, RF/microwave assemblies, power amplifiers, IFF and data acquisition Systems for severe environments.

The HFTT205TS-1 Telemetry Transmitter is a L-band transmitter used primarily to relay telemetry data to a receiving ground station. The units are compact and desirable for those applications where DC power conservation, size and weight are at a premium. Applications include missiles, aircraft, unmanned airborne vehicles (UAV), sounding rockets, drone targets and space launch vehicles.

The design of the HFTT205TS-1 series utilizes the latest in modern devices and circuitry. They are all solid-state to provide a reliable product with extremely long operating life.



Telemetry Transmitter Model HFTT205TS-1



Telemetry Transmitter

Model HFTT205TS-1

FEATURES:

- 5 Watt minimum power output
 - Lightweight, 3.6 ounces maximum (102 grams)
 - All solid-state design
 - Reverse polarity protection
-

PHYSICAL:

- Size: 2.50 x 2.00 x .66 inches (6.4 x 5.1 x 1.7 cms)
 - Weight: 3.6 ounces (102 gms) maximum
-

POWER:

- Input Voltage: +24 \pm 4 VDC; reverse polarity protected
 - Input Current: 13 Amps maximum
 - On/Off Control: Ground=On; Open=Off
-

TM MODULATION INPUT:

- Type: True FM, Positive Sense, AC Coupled
 - Frequency Response: 10 Hz to 7.0 MHz \pm 1.5 dB
 - Peak Deviation: \pm 1.0 MHz Maximum
 - Deviation Non-Linearity: 2.0% Maximum BSL for \pm 1 MHz Deviation
 - Deviation Sensitivity: Factory set at 1.0 MHz \pm 10% per 1V Pk
 - Harmonic Distortion: 2.0% maximum
 - Incidental AM: 5.0% maximum
 - Incidental FM: 10 KHz RMS maximum
 - Input Impedance: 75 Ohms Nominal Shunted by 30 pF max
-

RF OUTPUT:

- Carrier Frequency: 2200.0 to 2299.5 MHz (Single Frequency)
 - Carrier Stability: Within \pm 0.002% over -32°C to +71°C
 - Power Output: 5 Watts minimum into VSWR up to 2.0:1
 - VSWR: 1.5:1 maximum
 - Impedance: 50 Ohms nominal
 - Loading: Normal operation into any load VSWR and phase angle
 - Open/Short Protection: Internal Isolator
 - Harmonic and Spurious Level: In accordance with IRIG 106-04
-

ENVIRONMENTAL:

- Vibration: 14 g's random, standard haystack, 10 Hz to 2 kHz, 3 axes
 - Temperature, Operating: -32°C to +71°C
 - Temperature, Storage: -46°C to +71°C
 - Shock: Half sine, 100 g's peak, 11 msec, 3 axes
 - Acceleration: 100 g's, 3 axes
 - Altitude: Unlimited
-

Telemetry Transmitter

Model HFTT205TS-1

- Humidity: To 95% at any temperature forming frost or condensation
-

* Product in development, targeted specification